

ECOLUMINO CONVERSION INSTRUCTIONS



Ensure that personnel carrying out this conversion have the relevant qualifications/certificates and all work is carried out in accordance with BS6771:2008/I.E.E. Wiring Regulations 17th Edition. Ensure that all relevant personnel read the points listed within this leaflet and that a copy is given to staff involved with the installation and maintenance of this product. Glasdon recommends that a full Health and Safety analysis is carried out prior to installation.

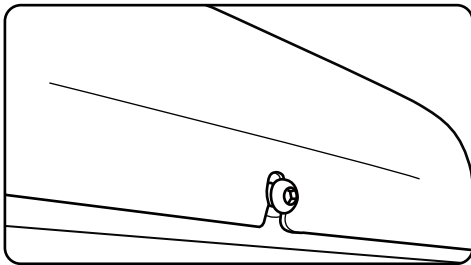
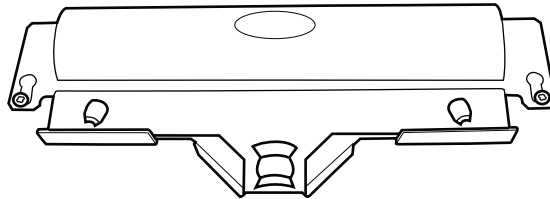


IMPORTANT: ISOLATE PRIOR TO INSTALLATION
DO NOT HANDLE CIRCUIT WHEN LIVE



TYPE 1 INSTRUCTIONS

- to convert Signature Exlite LA / Forest City



Remove the single front screw with an allen key and put to one side, pivot open the sign light lens.

Loosen the screws on either side of the existing tray and slide towards you to allow it to be removed.

Disconnect the earth wire from the housing and retain the screw. Unplug the tray and safely dispose of it.

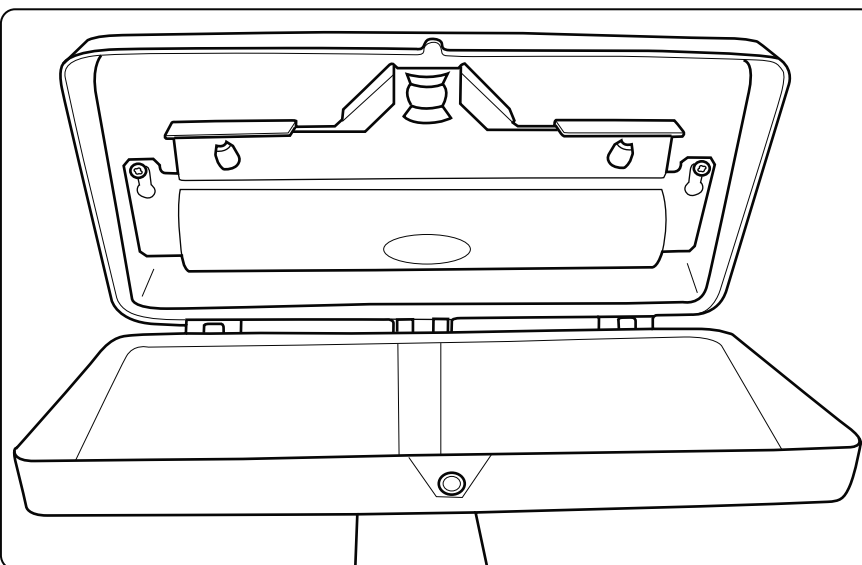
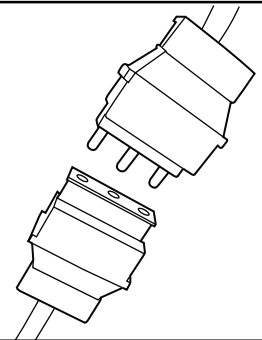
Note: If the tray wasn't connected via a plug and socket disconnect the wires from the tray.

Connect the earth wire to housing and photocell to gear tray.

The new gear tray is supplied with a plug and socket.

For housings where a plug is already attached to the end of the wires ensure it is wired up correctly and simply connect with the socket attached to the new gear tray (the spare plug can be disposed of).

For housing without an existing plug connect the loose wires to the new plug and connect to the new gear tray.



Place the new gear tray over the existing screws and slide on. Re-tighten the screws to secure the gear tray into the housing. Close the housing ensuring the seal isn't damaged and replace the screw. Tighten to prevent water ingress.

PLEASE NOTE THAT THIS IS NOT AN IP RATED PRODUCT AND WILL BECOME DAMAGED WHEN BROUGHT INTO CONTACT WITH MOISTURE. ONLY INSTALL INTO FULLY IP RATED SIGN LIGHTS.

The 3 amp fuse (standard 25mm) is located underneath the snap fit trunking.

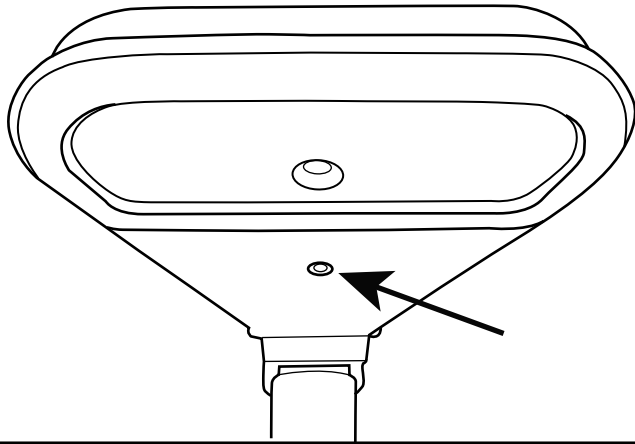
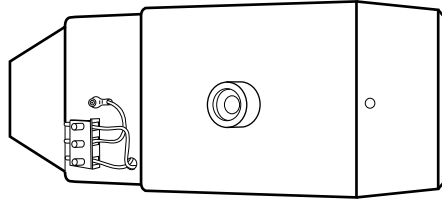


IMPORTANT: ISOLATE PRIOR TO INSTALLATION
DO NOT HANDLE CIRCUIT WHEN LIVE



TYPE 2 INSTRUCTIONS

- to convert Signature Delta



Remove the single bolt from the underside of the Signature Delta and put to one side, remove the lid. Disconnect the earth wire from the housing and retain the screw. Unplug the existing tray and safely dispose of it.

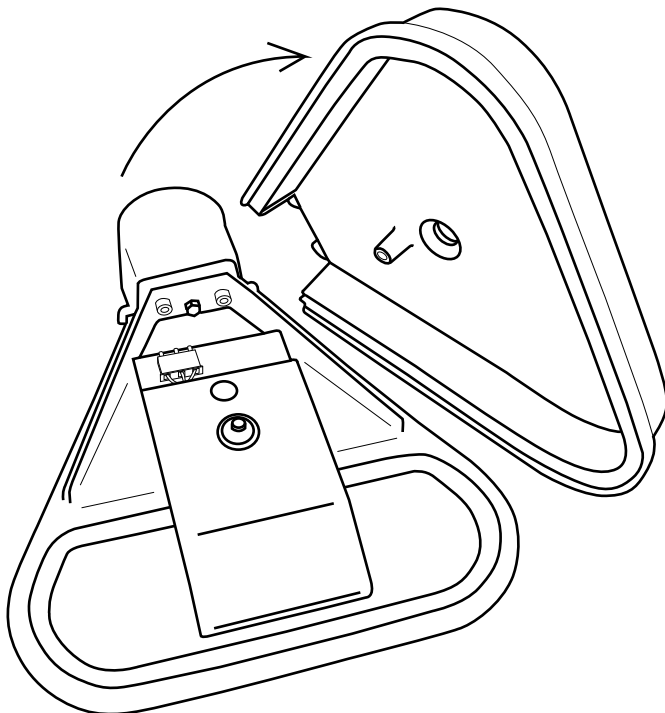
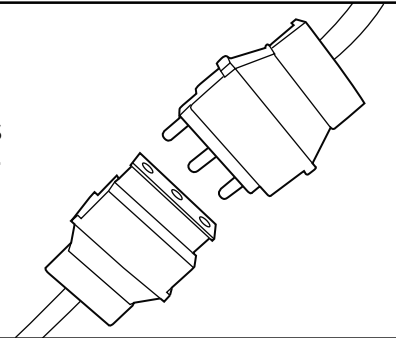
Note: If the tray wasn't connected via a plug and socket disconnect the wires from the tray.

Connect the earth wire to housing (and photocell to gear tray if applicable).

The new gear tray is supplied with a plug and socket.

For housings where a plug is already attached to the end of the wires ensure it is wired up correctly and simply connect with the socket attached to the new gear tray (the spare plug can be disposed of).

For housings without an existing plug connect the loose wires to the new plug and connect to the new gear tray.



Place the new gear tray into the unit as shown. Close the housing ensuring the seal isn't damaged and replace the bolt. Tighten to prevent water ingress.

PLEASE NOTE THAT THIS IS NOT AN IP RATED PRODUCT AND WILL BECOME DAMAGED WHEN BROUGHT INTO CONTACT WITH MOISTURE. ONLY INSTALL INTO FULLY IP RATED SIGN LIGHTS.

The 3 amp fuse (standard 25mm) is located on the underside of the gear tray.

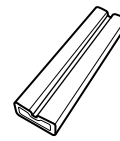
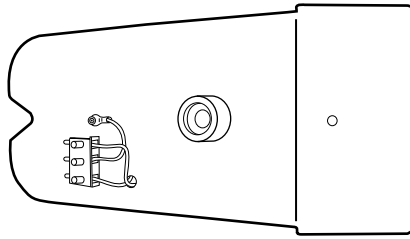


IMPORTANT: ISOLATE PRIOR TO INSTALLATION
DO NOT HANDLE CIRCUIT WHEN LIVE

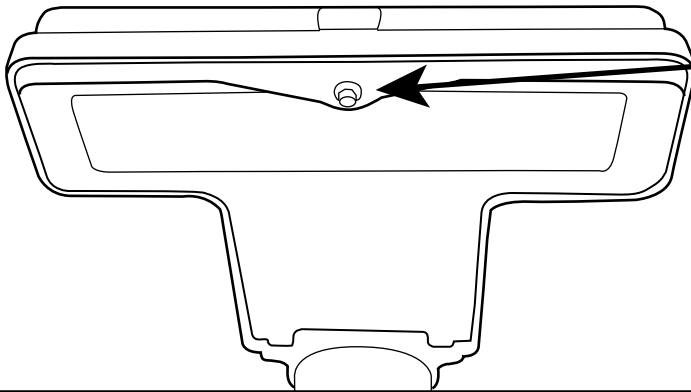


TYPE 3 INSTRUCTIONS

- to convert Simmondsigns LUA



SPACER - Certain older models of the Simmondsigns LUA have a slightly larger housing. If the gear tray is too small for the housing simply hold the spacer (supplied) onto the gear tray and insert into housing as normal.



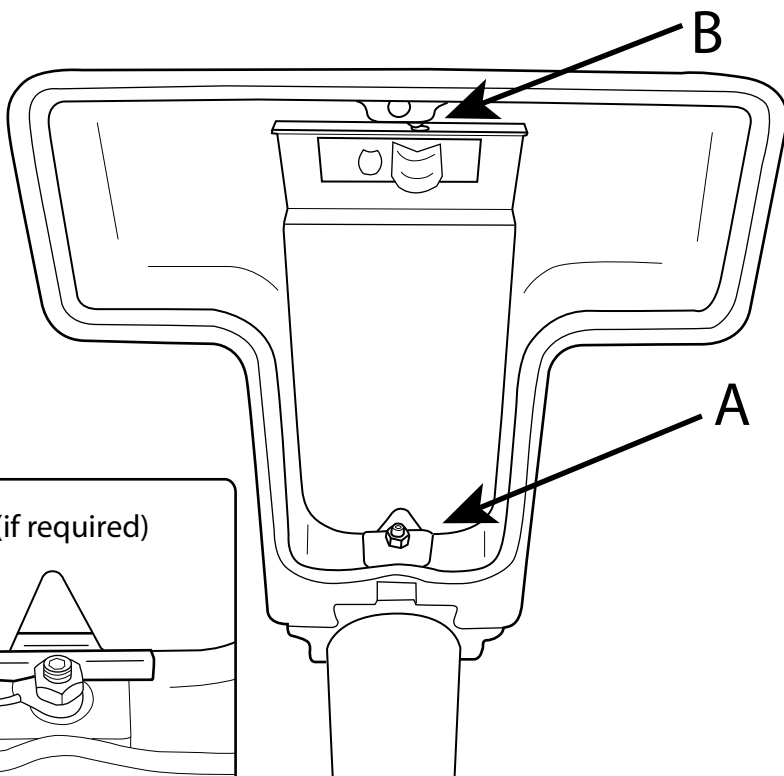
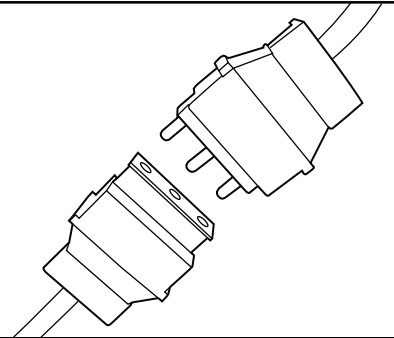
Remove the single bolt from the Simmondsigns LUA and put to one side, remove the cover. Disconnect the earth wire from the housing and retain the screw. Unplug the existing tray and safely dispose of it.
 Note: If the tray wasn't connected via a plug and socket disconnect the wires from the tray.

Connect the earth wire to housing (and photocell to gear tray if applicable).

The new gear tray is supplied with a plug and socket.

For housings where a plug is already attached to the end of the wires ensure it is wired up correctly and simply connect with the socket attached to the new gear tray (the spare plug can be disposed of).

For housings without an existing plug connect the loose wires to the new plug and connect to the new gear tray.



Insert the new gear tray by slotting into the recess (A) and pushing into place to ensure the embossed feature on the housing slots into the hole on the gear tray (B).

(If the gear tray is too small for the housing please use the spacer provided.)

Close the housing ensuring the seal isn't damaged and replace the bolt. Tighten to prevent water ingress.

PLEASE NOTE THAT THIS IS NOT AN IP RATED PRODUCT AND WILL BECOME DAMAGED WHEN BROUGHT INTO CONTACT WITH MOISTURE. ONLY INSTALL INTO FULLY IP RATED SIGN LIGHTS.

The 3 amp fuse (standard 25mm) is located on the underside of the gear tray.

IMPORTANT NOTE: PLEASE ENSURE THAT ALL RELEVANT PERSONNEL READ THE POINTS LISTED WITHIN THIS LEAFLET AND THAT A COPY IS GIVEN TO STAFF INVOLVED WITH THE INSTALLATION AND MAINTENANCE OF THIS PRODUCT.
SAFETY NOTE: PLEASE REFER TO 'THE MANUAL HANDLING OPERATIONS REGULATIONS 1992' DURING HANDLING.



AND ECOLUMINOTM ARE TRADEMARKS OR REGISTERED TRADEMARKS OF GLASDON GROUP OR ITS SUBSIDIARIES IN THE U.K AND OTHER COUNTRIES

- A planned maintenance schedule or regular inspection is recommended, replacing components as necessary.
- Replacement components are available direct from GLASDON.
- GLASDON cannot be held responsible for claims arising from incorrect installation, unauthorised modifications or misuse of the product.

Issue 1 August 2012 Stock no. C000/0433
© Copyright 2012

Glasdon UK Ltd reserve the right to alter specifications without prior notice.



Glasdon U.K Limited

Preston New Road
BLACKPOOL
Lancashire FY4 4UL
Tel: 01253 600410
Fax: 01253 792558
email: sales@glasdon-uk.co.uk
web: www.glasdon.com